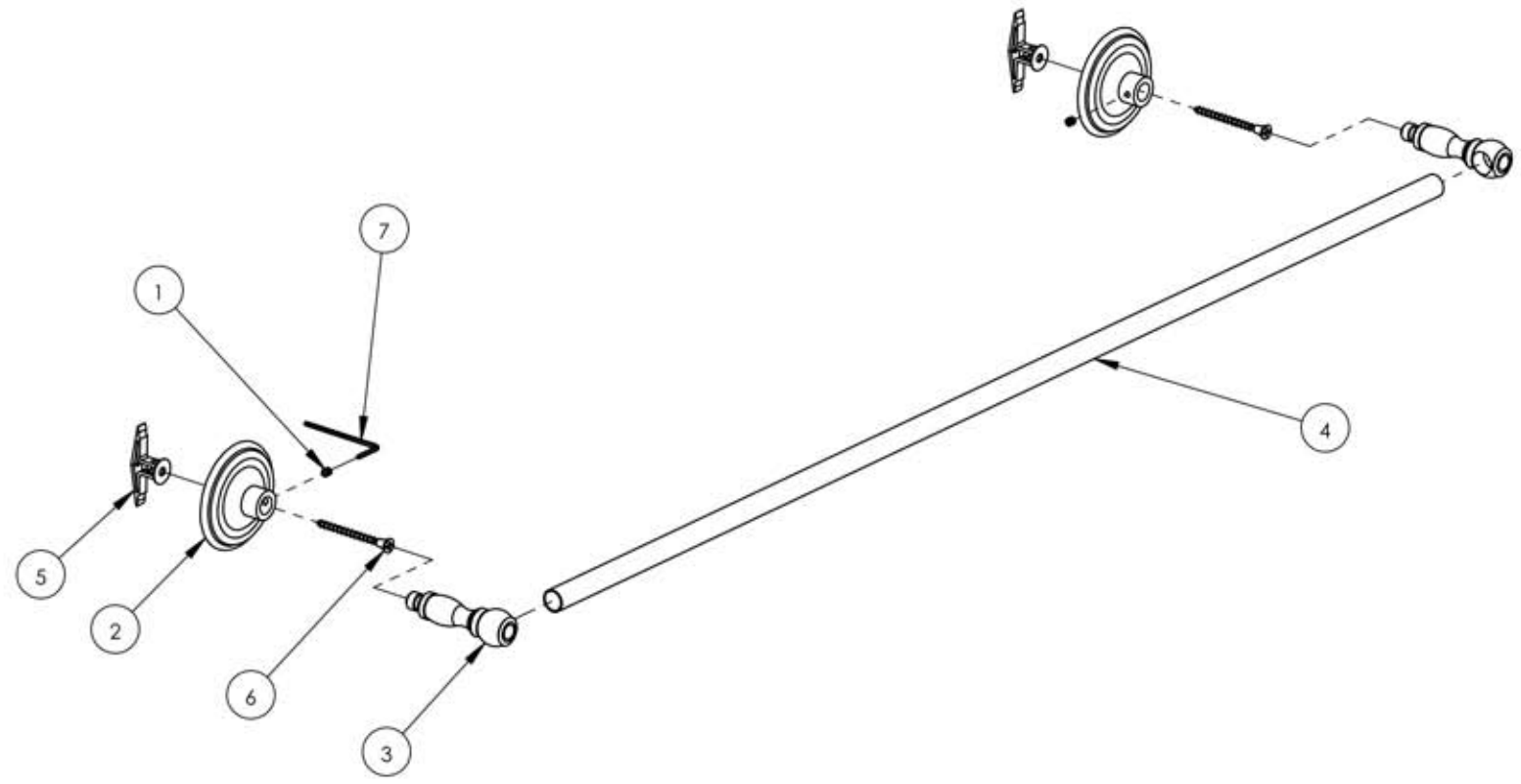


ITEM NO.	PART NUMBER	DESCRIPTION	QTY.
1	92008	SET SCREW, CUP POINT 8-32UNC 3/16"L	2
2	P23003/00	KG BACKPLATE	2
3	P23063/00	KG65 TOWEL BAR POST	2
4	P23078	30" KG TOWEL BAR	1
5	P23085	TOGGLER FOR WALL	2
6	P36005	#6 DRY WALL SCREW	2
7	P39001	5/64 HEX KEY, FOR 8/32 SET SCREW	1



A

B

C

D

E

ZONE	REV.	DESCRIPTION	DATE	APPROVED
REVISIONS				
1261 LOGAN AVENUE COSTA MESA, CALIFORNIA 92626 PHONE: 714.361.4800 FAX: 714.617.3120		PHYLTRICH®	PROPRIETARY AND CONFIDENTIAL <small>THE INFORMATION CONTAINED IN THIS DRAWING IS THE SOLE PROPERTY OF R3S MANUFACTURING. ANY REPRODUCTION IN PART OR AS A WHOLE WITHOUT THE WRITTEN PERMISSION OF R3S MANUFACTURING IS PROHIBITED.</small>	
Defining Luxury Since 1959				

-		INTERPRET GEOMETRIC DIMENSIONING & TOLERANCING IN ACCORDANCE WITH ASME Y14.5-2009 & ASME Y14.41-2003 STANDARDS. UNLESS OTHERWISE SPECIFIED, DIMENSIONS ARE IN INCHES. TOLERANCES ARE:		
NEXT ASSY	USED ON	FRACTIONS ±1/64"	DECIMALS X.X: ±.1 X.XX: ±.01 X.XXX: ±.005	ANGULAR ±5°
APPLICATION				
MATERIAL				
FINISH	DRAWN	LLO	DATE	7/29/2013
DO NOT SCALE DRAWING		CHECKED	GRE	

30" TOWEL BAR GTWN, MQUI & JMSTWN (162-72/00)		
SIZE	ASM/PRT NO.	REV
A	KG75/00	-
SCALE: 1:4	WEIGHT: lbs.	SHEET 1 OF 2

5

4

3

2

1